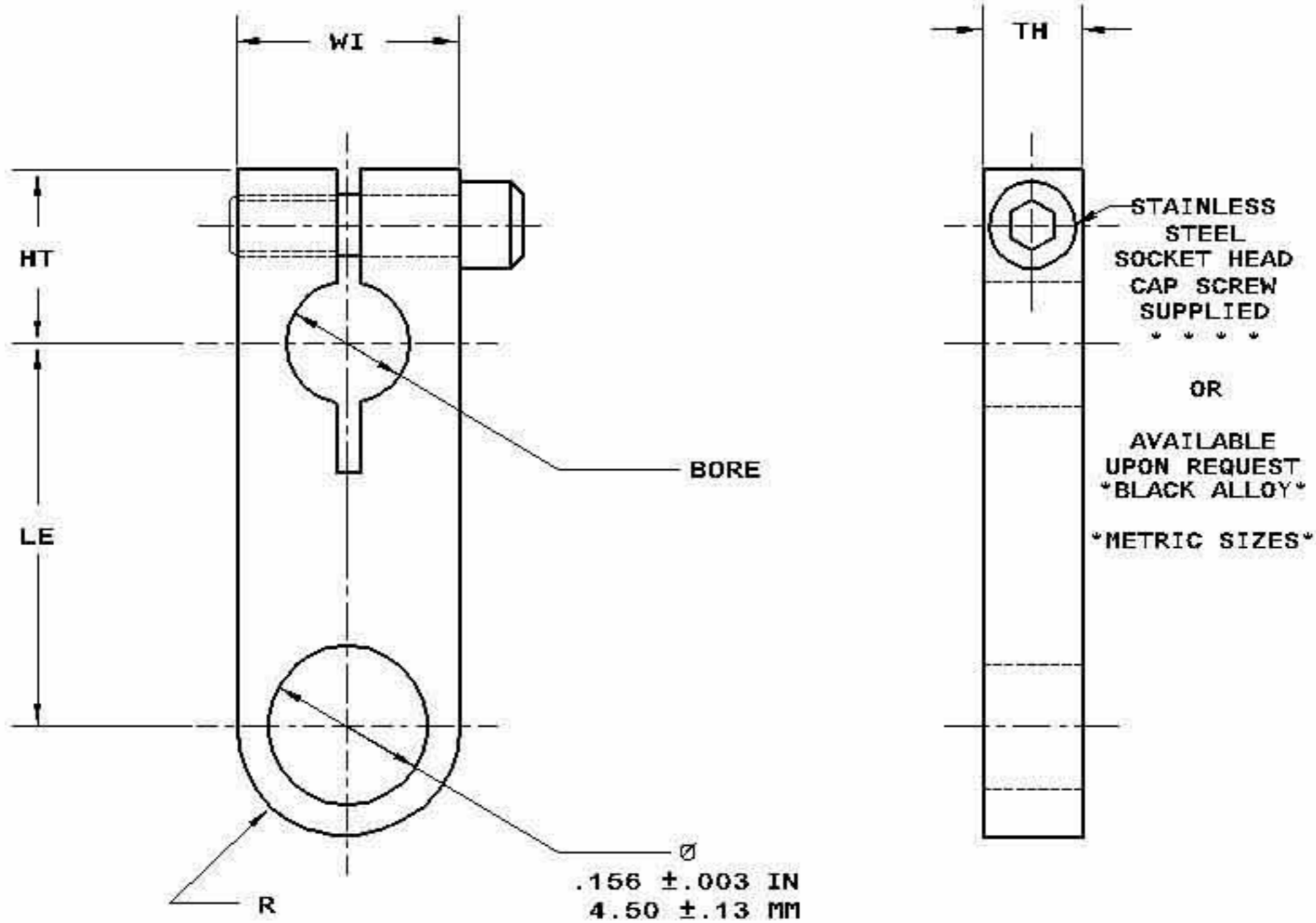


LS1

SERIES

PAGE 27
LOCKING
SHAFT CLAMPS



SUFFIX	MATERIAL	FINISH
F	STAINLESS STEEL 416	HARDENED
A6	ALUMINUM 6061-T6	NONE

TOLERANCES			
INCH		METRIC	
.XX	±.016	.X	±.4
.XXX	±.005	.XX	±.13
BORE	+.0005	BORE	+.013
BORE OVER 1.000 IN	+.002	BORE OVER 25.40 MM	+.05

**R NOT INCLUDED

CATALOG NO.	SUFFIX	BORE		WI		LE		TH		HT		SCREW
		IN	MM	IN	MM	IN	MM	IN	MM	IN	MM	
LS1-0819.0895	F	.0895	2.273									
LS1-0819.0938	F	.0938	2.383									
LS1-0819.1181	F	.1181	3.000	.250	6.35	.625	15.88	.190	4.83	.250	6.35	2-56
LS1-0819.1195	F	.1195	3.035									
LS1-0819.1250	F	.1250	3.175									
LS1-0819.1575	F	.1575	4.000									
LS1-1019.1875	F	.1875	4.763									
LS1-1019.1969	F	.1969	5.000	.312	7.92	.625	15.88	.190	4.83	.26	6.6	2-56
LS1-1019.2362	F	.2362	6.000									
LS1-48501.125**	A6	1.125	28.58									
LS1-48501.181**	A6	1.181	30.00									
LS1-48501.188**	A6	1.188	30.18	1.50	38.1	4.50	114.3	.50	12.7	1.38	35.1	5/16-18
LS1-48501.220**	A6	1.220	30.99									
LS1-48501.250**	A6	1.250	31.75									
LS1-48501.260**	A6	1.260	32.00									

IMPULSE MECHANISMS INC

78-82 N INDUSTRY CT
DEER PARK NY 11729
TEL (631) 586-5755
FAX (631) 586-5757